

PILOT AIR OPERATED

General Description

A range of compact 3/2 pilot operated high flow poppet valves in stainless steel for use on gases.

- Compact
- High flow
- 3/2 N/O, N/C and Universal
- Meet NACE standard
- Non lube
- Low temperature range

Operating Medium

Gases

Filtered lubricated or non-lubricated air, inert, sweet (natural) gases.

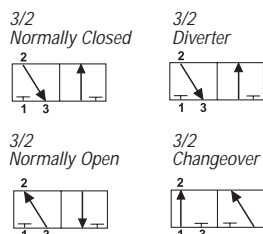
Sour gas option available. (details on application)

Liquids

Low pressure hydraulic, mineral oil or water.

(details on application)

Functional Symbols



Technical Data

Ports

- 1/4" - 1-1/2" NPT (BSP option available)
- 1/4" NPT pilot ports

Working Pressure (gases & liquids)

- 2 to 12 bar (30 to 174 psi)

Cv (Kv)

- 1/4" - 1.75 (25) 3/8" - 2.2 (31)
- 1/2" - 4.00 (57) 3/4" - 10.2 (146)
- 1" - 15.0 (214) 1-1/4" - 20.0 (286)
- 1-1/2" - 28.0 (400)

Working Temperature

- -20°C to +180°C (-4°F to +356°F)

Low temperature version

- -50°C (-58°F) (optional)

Minimum Pilot Pressure

- At 6.3 bar (90 psi) body pressure
- 1/4" - 3/8" Spring return
 4.0 bar (58.0 psi)
- 1/2" - 1-1/2" Spring return
 3.0 bar (43.5 psi)

Maximum Flow

- 6 bar (87 psi), 1 bar (14.5 psi) differential
- 1/4" - 2668 L/min (94 SCFM)
- 3/8" - 3521 L/min (124 SCFM)
- 1/2" - 6402 L/min (226 SCFM)
- 3/4" - 16005 L/min (565 SCFM)
- 1" - 24008 L/min (848 SCFM)
- 1-1/4" - 32010 L/min (1130 SCFM)
- 1-1/2" - 44814 L/min (1583 SCFM)



Construction Materials

- Stainless Steel AISI 316L to NACE MR-01-75 Body
- Stainless Steel AISI 316L to NACE MR-01-75 Poppet
- 316 Stainless Steel Spring
- 1/4", 3/8" and 1/2" Fluoroelastomer seals
- 3/4", 1", 1-1/4" and 1-1/2" Nitrile seals

Preferred Models

Model Number	Description	Weight kg (lbs)	Symbol
2325M21-VC2B	1/4" NPT 3/2 Pilot air operated, spring return, UNIV	0.65 (1.43)	
3325M21-VC2B	3/8" NPT 3/2 Pilot air operated, spring return, UNIV	0.90 (1.98)	
4325M21-VC2B	1/2" NPT 3/2 Pilot air operated, spring return, UNIV	1.50 (3.31)	
6325M21-SC2B	3/4" NPT 3/2 Pilot air operated, spring return, UNIV	5.00 (11.0)	
8325M21-SC2B	1" NPT 3/2 Pilot air operated, spring return, UNIV	5.00 (11.0)	
5325M21-SC2B	1-1/4" NPT 3/2 Pilot air operated, spring return, UNIV	9.00 (19.8)	
7325M21-SC2B	1-1/2" NPT 3/2 Pilot air operated, spring return, UNIV	11.0 (24.3)	

1750 Poppet Valves

POPPET VALVES • 1/4" - 1-1/2", 3/2, NPT (BSP)

1750 SERIES

1750 PNEUMATIC VALVES

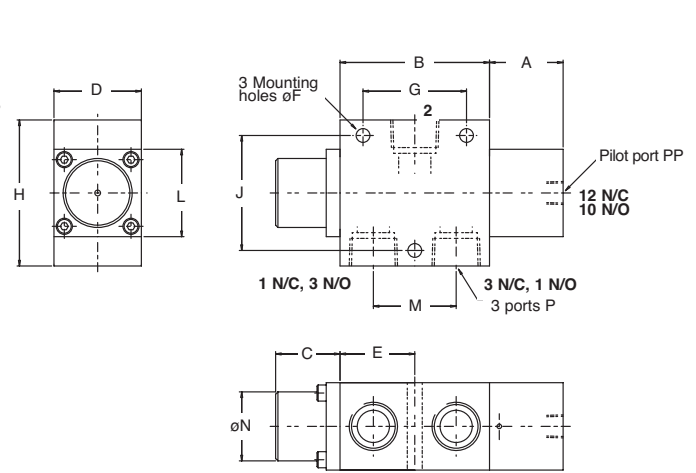
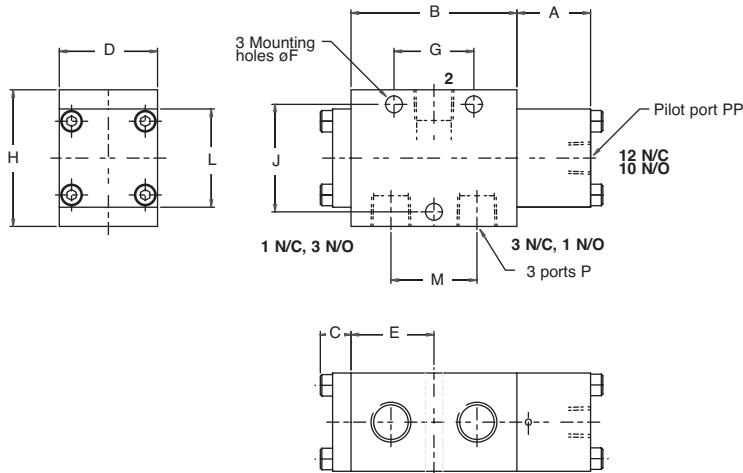
PILOT AIR OPERATED

INSTALLATION DIMENSIONS mm (inches)

3/2 Pilot Air Operated - Spring Return, 1/4", 3/8", 1/2"

2325M21-VC2B
3325M21-VC2B

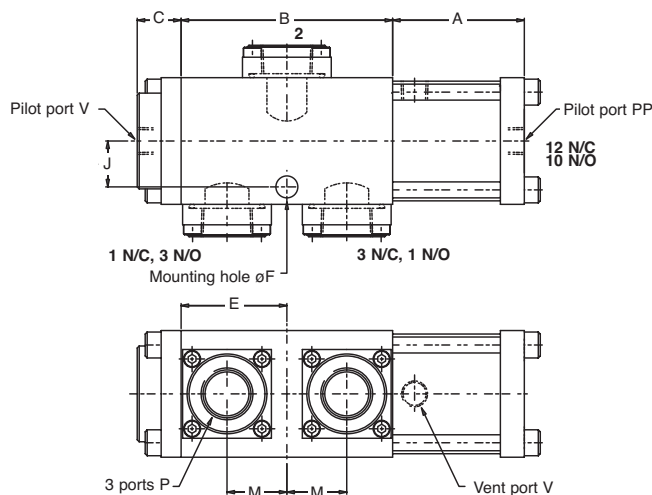
4325M21-VC2B



Model Number	A	B	C	D	E	F	G	H	J	L	M	N	P	PP
2325M21-VC2B	24 (0.94)	54 (2.13)	10 (0.39)	32 (1.26)	27 (1.06)	6.5 (0.26)	26 (1.02)	44.5 (1.75)	35 (1.38)	32 (1.26)	28 (1.10)	-	1/4" NPT	1/8" NPT
3325M21-VC2B	24 (0.94)	54 (2.13)	10 (0.39)	32 (1.26)	27 (1.06)	6.5 (0.26)	38 (1.50)	51 (2.00)	44 (1.73)	32 (1.26)	28 (1.10)	-	3/8" NPT	1/8" NPT
4325M21-VC2B	32 (1.26)	65 (2.56)	28 (1.10)	38 (1.50)	32.5 (1.28)	6.5 (0.26)	45 (1.77)	63.5 (2.50)	50 (1.97)	38 (1.50)	36 (1.42)	24 (0.94)	1/2" NPT	1/8" NPT

3/2 Pilot Air Operated - Spring Return, 3/4", 1", 1-1/4", 1-1/2"

6325M21-SC2B
8325M21-SC2B
5325M21-SC2B
7325M21-SC2B



Model Number	A	B	C	D	E	F	H	J	L	M	P	PP	V
6325M21-SC2B	66 (2.60)	106 (4.17)	22 (0.87)	63.5 (2.50)	53 (2.09)	11 (0.43)	96 (3.78)	23 (0.91)	63.5 (2.50)	30 (1.18)	3/4" NPT	1/4" NPT	1/4" NPT
8325M21-SC2B	66 (2.60)	126 (4.96)	22 (0.87)	63.5 (2.50)	63 (2.48)	11 (0.48)	96 (3.78)	23 (0.91)	63.5 (2.50)	35 (1.38)	1" NPT	1/4" NPT	1/4" NPT
5325M21-SC2B	67 (2.64)	155 (6.10)	18 (0.71)	76 (2.99)	77.5 (3.05)	11 (0.43)	116 (4.57)	28.5 (1.12)	76 (2.99)	42.5 (1.67)	1-1/4" NPT	1/4" NPT	1/4" NPT
7325M21-SC2B	67 (2.64)	180 (7.09)	18 (0.71)	76 (2.99)	90 (3.54)	11 (0.43)	116 (4.57)	28.5 (1.12)	76 (2.99)	50 (1.97)	1-1/2" NPT	1/4" NPT	1/4" NPT