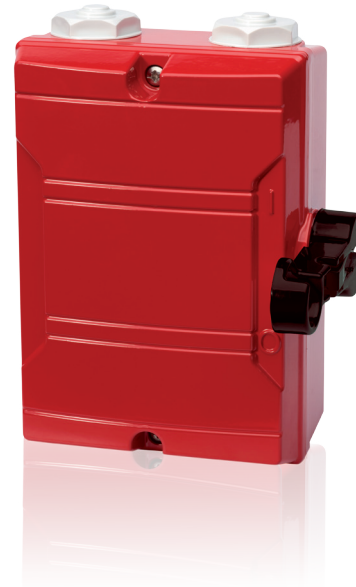


Fireman switch

Enclosed switches

The fireman switch is a switch-disconnector/isolator for special applications. You can see these switches on the outside wall of commercial buildings. They are designed to be easy to spot and are used by firemen to turn off neon-lighting or other hazardous electrical equipment in case of fire.



Features and benefits

The enclosure is made of non flammable material. It is painted red in order to be easy to spot. The on and off positions are clearly indicated on the front side with “I” and “O”. The operating handle is designed in such a way that a fireman-hook or axe can be used to switch off. To reset a so called “two hands grip” must be used. The interlocking mechanism prevents accidental manoeuvres.

- Robust & reliable design in non flammable material (Aluminum).
- Operating handle locked in “O” position and a two hands grip to reset for safety reasons.
- Easy to install and to operate. Possible to add on an auxiliary contact.
- Complies with IEC 60947-3 and BS7671.

General Technical Data

Degree of protection: IP65

Material: Aluminum alloy (silumin)

Additional technical data: See technical catalogue for enclosed switches, 1SCC340009C0201

Ordering details

Order number	Type	Poles	Rated operational current [A] AC-22A				Cable entries M		Enclosure size [mm]			Delivery batch (pcs) qty	Weigh kg/each
			230V	400V	500V	690V	Up	Down	W	H	D		
2CMA142435R1000	KSF 225 DP	2	25	25	-	-	2xM25	2xM25	109	130	60	10	0.57
2CMA142436R1000	KSF 325 TPN	3	-	25	25	16	2xM25	2xM25	109	130	60	10	0.59
2CMA142438R1000	KSF 340 TPN	3	-	40	40	32	2xM32		136	168	68	10	0.82
2CMA142442R1000	KSF 325NO/TPN *)	3	-	25	25	16	2xM25	2xM25	109	130	60	10	0.60
2CMA142437R1000	KSF 425 TPSN	4	-	25	25	16	2xM25	2xM32	109	130	60	10	0.59
2CMA142439R1000	KSF 440 TPSN	4	-	40	40	32	2xM32		136	168	68	10	0.83

*) Auxiliary contact included.

Fireman switch

Enclosed switches

Installation/Wiring

The Fireman switch is used for the breaking of the low voltage circuit of exterior and interior signs and luminaries installations e.g. neon signs for AC.

The Fireman switch can also be used to operate the under voltage release or shunt trip in the main incoming breaker. If there is a fire in the building, the fireman uses an insulated rod (Firemans axe) to pull the handle to O position which isolates the utility supply to the building.

- The under voltage release is fed through one of the main contacts of the Fireman switch. When the voltage is removed, the breaker trips.
- The shunt trip is fed through N/C auxiliary contact. When the Fireman switch closes, the auxiliary contact opens, giving power to the shunt trip which trips the breaker.

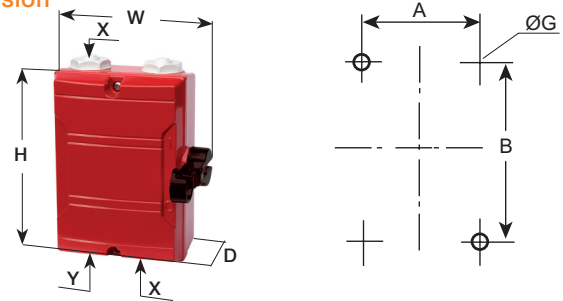
The O position of the handle (vertically up or vertically down) may be specified in national wiring regulations. ABB Fireman switch can be used both ways.

For more information please contact:

ABB Oy
Breakers and Switches
 P.O. Box 622
 FI-65101 Vaasa, Finland
 Phone: +358 10 22 11
 Fax: +358 10 22 45708
www.abb.com

ABB AB
Cewe
 Box 1005
 SE-611 29 Nyköping, Sweden
 Phone: +46 155 29 50 00
 Fax: +46 155 28 81 10
www.abb.com

Dimension



Type	Size			Cable entry		Fixing dimensions		
	W	H	D	X	Y	A	B	G
KSF225..	109	130	60	2xM25	-	64	90	5
KSF 325..	109	130	60	2xM25	-	64	90	5
KSF 340..	136	168	68	2xM32	1xM16	90	127	5
KSF 425..	109	130	60	2xM25	-	64	90	5
KSF 440..	136	168	68	2xM32	1xM16	90	127	5

Wiring diagram

