



## GHKE-52S-SFS

### Fork Properties

#### 900 Kgs. Load Capacity Forged Kingpinless Castors

- ▢ Single piece forged alloy steel top plate & fork base
- ▢ Precision CNC machined raceways
- ▢ Induction hardened raceways ensure swivel head longevity
- ▢ Totally sealed swivel head with grease nipple
- ▢ 6mm thick fabricated construction of forks robotically welded inside & outside to 65mm fork spacing
- ▢ 12mm Wheel Axle
- ▢ Finish: Zinc plate; ROHS compliant or Black polymer color coated
- ▢ Options : 4 way directional lock, Total lock, Wheel face break

#### 900 Kgs. Load Capacity Forged Kingpinless Castors

- ▢ Single piece forged alloy steel top plate & fork base
- ▢ Precision CNC machined raceways
- ▢ Induction hardened raceways ensure swivel head longevity
- ▢ Totally sealed swivel head with grease nipple
- ▢ 6mm thick fabricated construction of forks robotically welded inside & outside to 65mm fork spacing
- ▢ 12mm Wheel Axle
- ▢ Finish: Zinc plate; ROHS compliant or Black polymer color coated
- ▢ Options : 4 way directional lock, Total lock, Wheel face break

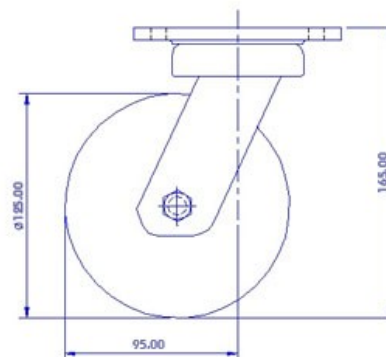
#### 900 Kgs. Load Capacity Forged Kingpinless Castors

- ▢ Single piece forged alloy steel top plate & fork base
- ▢ Precision CNC machined raceways
- ▢ Induction hardened raceways ensure swivel head longevity
- ▢ Totally sealed swivel head with grease nipple
- ▢ 6mm thick fabricated construction of forks robotically welded inside & outside to 65mm fork spacing
- ▢ 12mm Wheel Axle
- ▢ Finish: Zinc plate; ROHS compliant or Black polymer color coated
- ▢ Options : 4 way directional lock, Total lock, Wheel face break

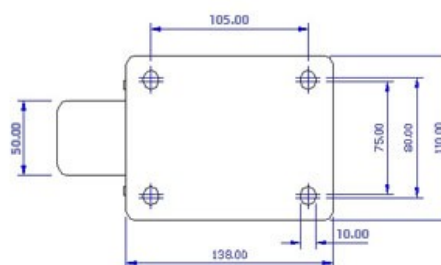
Muvtons exclusively designed " Real solid " elastomer wheels produced from premium liquid cast polyurethane 73° ±3° shore D mechanically & chemically locked to a non corrosive metallic core that holds the wheel bearings and also provides structural rigidity under heavy loads. These wheels resist compression set, have excellent resilience for easy movement even under high loads and expel floor debris. Can be used for corrosive applications with suitable bearings. They are non marking and floor protective. Tested & Guranteed against bond failures. Wheel bearing options : Sealed precision ball bearings, tapered roller bearings or roller bearings. Temperature range : -20°C to +85°C. Tread options:Anti-static;conductive wheels are available.

### Technical Data

Castor Type	Swivel Castor without Brake
Wheel Material	Polyurethane
Wheel Hardness	73° ± 3° Shore D
Wheel Center	Aluminium
Wheel Dia(mm)	125
Tread Width(mm)	50
Load Capacity(kg)	500
Wheel Bearing	Ball Bearing
Overall Height(mm)	165
Swivel Radius(mm)	95
Top Plate(mm)	138 x 110
Bolt Hole Dia(mm)	105 x 75-80
Castor Pdf File Name	-
AutoCAD File Name	yes
Non Marking	yes
Heat Resistant	-



FRONT VIEW



TOP VIEW

