



GHKE-82S-SZS

Fork Properties

900 Kgs. Load Capacity Forged Kingpinless Castors

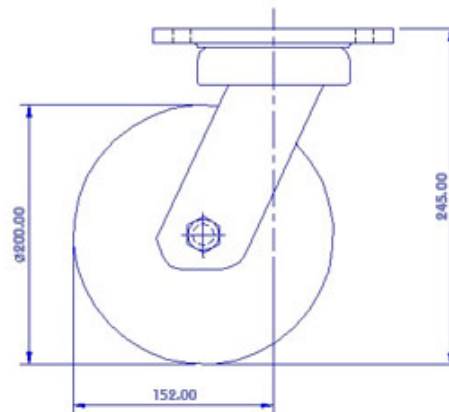
- Single piece forged alloy steel top plate & fork base
- Precision CNC machined raceways
- Induction hardened raceways ensure swivel head longevity
- Totally sealed swivel head with grease nipple
- 6mm thick fabricated construction of forks robotically welded inside & outside to 65mm fork spacing
- 12mm Wheel Axle
- Finish: Zinc plate; ROHS compliant or Black polymer color coated
- Options : 4 way directional lock, Total lock, Wheel face break

Wheel Properties

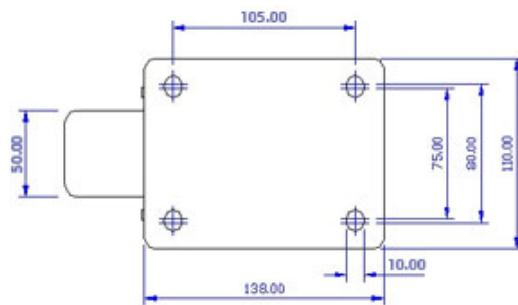
Muvtons premium soft durometer polyurethane treaded wheels 83° ±3° Shore A, Firmly bonded to precision machined cast iron cores. These wheels have been designed to respond to noise problems and allow loaded to be cushioned. The use of lively polyurethane materials allows these wheels to flex & roll over debris and obstacles without picking up objects. They are non marking and floor protective. Tested & guaranteed against bond failures. Wheel bearing options : Sealed precision ball bearings, tapered roller bearings or roller bearings. Temperature range; -20°C to +85°C. Thread options : Anti static : conductive wheels are available.

Technical Data

Castor Type	Swivel Castor without Brake
Wheel Material	Polyurethane
Wheel Hardness	83° ± 3° Shore A
Wheel Center	Cast Iron
Wheel Dia(mm)	200
Tread Width(mm)	50
Load Capacity(kg)	650
Wheel Bearing	Ball Bearing
Overall Height(mm)	245
Swivel Radius(mm)	152
Top Plate(mm)	138 x 110
Bolt Hole Dia(mm)	105 x 75-80
Heat Resistant	yes



FRONT VIEW



TOP VIEW