



## GHKE-102S-ME

### Fork Properties

#### 900 Kgs. Load Capacity Forged Kingpinless Castors

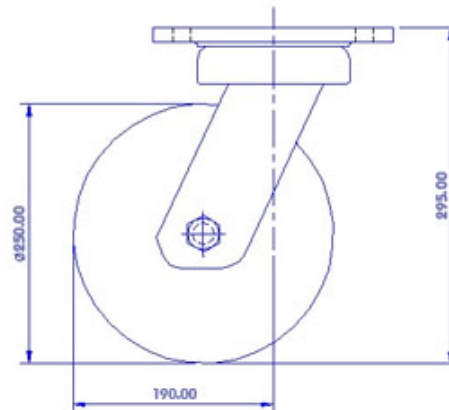
- Single piece forged alloy steel top plate & fork base
- Precision CNC machined raceways
- Induction hardened raceways ensure swivel head longevity
- Totally sealed swivel head with grease nipple
- 6mm thick fabricated construction of forks robotically welded inside & outside to 65mm fork spacing
- 12mm Wheel Axle
- Finish: Zinc plate; ROHS compliant or Black polymer color coated
- Options : 4 way directional lock, Total lock, Wheel face break

### Wheel Properties

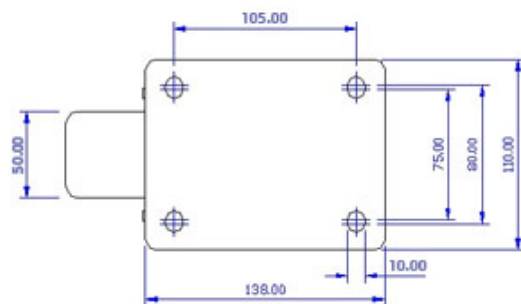
Muvtons Ergonomic wheels for effortless rolling, very low push pull efforts required to move heavy loads. Generous amount of premium polyurethane 93° ±3° Shore A firmly bonded, mechanically & chemically to precision machined cores. Proven for excellent performance in most demanding applications for manual and power towing. They are non-marking and floor protective. Tested & Guaranteed against bond failures. Softer 83° ±3° Shore A durometer for greater tractive resistance and harder 73° ±3° Shore D polyurethane treads for extremely low rolling resistance are also offered. Wheel bearing options: Sealed precision ball bearings, tapered roller bearings or roller bearings. Temperature range : -20°C to +85°C Tread Options : Anti-static; conductive wheels are available.

### Technical Data

Castor Type	Swivel Castor without Brake
Wheel Material	Polyurethane
Wheel Hardness	93° ± 3° Shore A
Wheel Center	Cast Iron
Wheel Dia(mm)	250
Tread Width(mm)	50
Load Capacity(kg)	850
Wheel Bearing	Ball Bearing
Overall Height(mm)	295
Swivel Radius(mm)	190
Top Plate(mm)	138 x 110
Bolt Hole Dia(mm)	105 x 75-80
Non Marking	yes
Heat Resistant	-



FRONT VIEW



TOP VIEW

