



BHS-SS-615R-PNY

Fork Properties

350Kgs. Load capacity Stainless Steel Castors

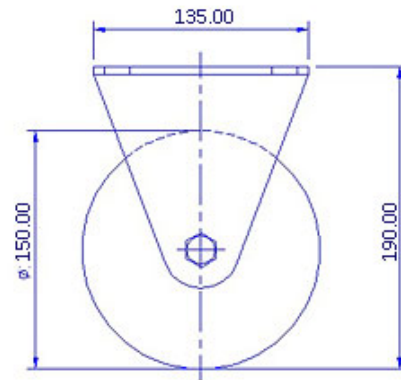
- Heavy Duty Pressed stainless steel brackets
- swivel brackets with double ball bearing raceways, dynamically pressed ensure low swivel head play and long service life
- Kingpinless swivel head design in larger wheel diameter eliminates chances of kingpin failure
- Finish : Polished Stainless Steel
- Options : Total lock Brake System

Wheel Properties

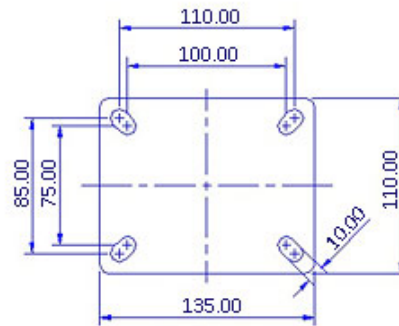
Liquid cast quality polyurethane chemically and mechanically to a strong polyamide core. Non-corrosive & non-marking 95° shore a, non-staining, abrasion-resistant, floor-saving, low-noise operation, low rolling resistance tested & guaranteed against bond failures. Wheel bearing options: sealed precision ball bearing or roller bearings. Temperature range:-20°C to +85°C. Alternatively available with soft polyurethane tread.

Technical Data

Castor Type	Rigid Castor without Brake
Wheel Material	Polyurethane
Wheel Hardness	95° Shore A
Wheel Center	Nylon Polyamide
Wheel Dia(mm)	150
Tread Width(mm)	40
Load Capacity(kg)	300
Wheel Bearing	Ball Bearing
Overall Height(mm)	190
Top Plate(mm)	135 x 110
Bolt Hole Centers	110 x 85 to 100 x 75
Non Marking	Yes
Heat Resistant	Yes
Noise Reduction	Yes



FRONT VIEW



TOP VIEW