



## GRDE-52R-SZS

### Fork Properties

#### 1500 Kgs. Load Capacity Forged Kingpinless Castors

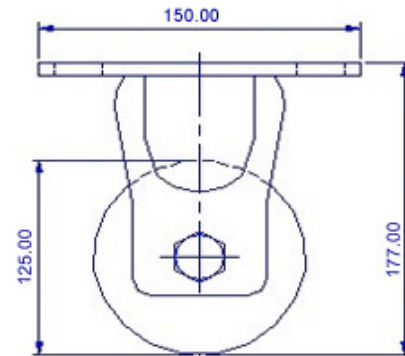
- Single piece forged alloy steel top plate & fork base
- Induction hardened raceways ensure swivel head longevity
- Totally sealed swivel head with grease nipple
- 6mm thick cylindrically formed legs robotically welded inside & outside to 65mm fork spacing
- 12mm Wheel Axle
- Finish : Zinc Plated, ROHS compliant or black polymer color coated
- Options : 4 way directional lock, Total lock, Wheel face brake

### Wheel Properties

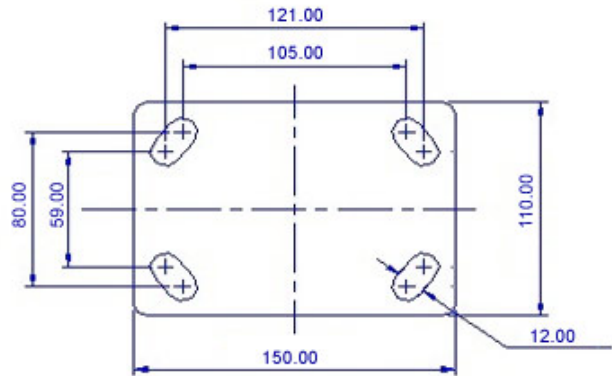
Muvtons premium soft durometer polyurethane threaded wheels  $83^{\circ} \pm 3^{\circ}$  Shore A, Firmly bonded to precision machined cast iron cores. These wheels have been designed to respond to noise problems and allow loaded to be cushioned. The use of lively polyurethane materials allows these wheels to flex & roll over debris and obstacles without picking up objects. They are non marking and floor protective. Tested & guaranteed against bond failures. Wheel bearing options : Sealed precision ball bearings, tapered roller bearings or roller bearings. Temperature range;  $-20^{\circ}\text{C}$  to  $+85^{\circ}\text{C}$ . Thread options : Anti static : conductive wheels are available.

### Technical Data

Castor Type	Rigid Castor without Brake
Wheel Material	Polyurethane
Wheel Hardness	$83^{\circ} \pm 3^{\circ}$ Shore A
Wheel Center	Cast Iron
Wheel Dia(mm)	125
Tread Width(mm)	50
Load Capacity(kg)	350
Wheel Bearing	Ball Bearing
Overall Height(mm)	177
Top Plate(mm)	150 x 110
Bolt Hole Dia(mm)	105 x 80 to 121/59
Non Marking	yes
Heat Resistant	Yes
Noise Reduction	yes



FRONT VIEW



TOP VIEW