



GRDE-82R-MCNY

Fork Properties

1500 Kgs. Load Capacity Forged Kingpinless Castors

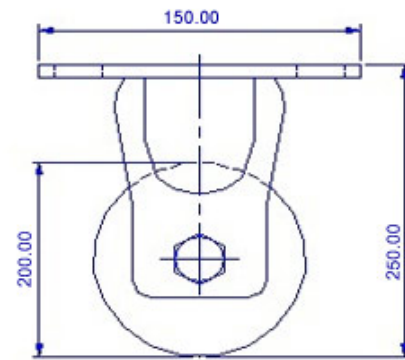
- Single piece forged alloy steel top plate & fork base
- Induction hardened raceways ensure swivel head longevity
- Totally sealed swivel head with grease nipple
- 6mm thick cylindrically formed legs robotically welded inside & outside to 65mm fork spacing
- 12mm Wheel Axle
- Finish : Zinc Plated, ROHS compliant or black polymer color coated
- Options : 4 way directional lock, Total lock, Wheel face brake

Wheel Properties

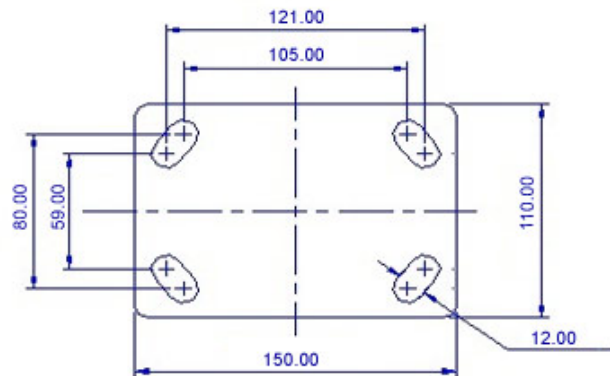
Muvtons MCNY wheels produced from high impact resistant cast polyamide are the ultimate choice for extremely high loads where metallic wheels are not an option . These wheels posses very high abrasion resistance and offer low rolling resistance under extreme loads. Can be used in corrosive applications. Wheels bearing options : sealed precision ball bearing or plain bore. Temperature range:-30° c to +80° c.

Technical Data

Castor Type	Rigid Castor without Brake
Wheel Material	Cast Polyamide
Wheel Dia(mm)	200
Tread Width(mm)	50
Load Capacity(kg)	1500
Wheel Bearing	Ball Bearing
Overall Height(mm)	250
Top Plate(mm)	150 x 110
Bolt Hole Dia(mm)	105 x 80 to 121/59
Non Marking	-
Heat Resistant	Yes
Noise Reduction	-



FRONT VIEW



TOP VIEW