



## DABE75-63R-DF

### Fork Properties

#### 7500kgs load capacity forged precision bearing castors

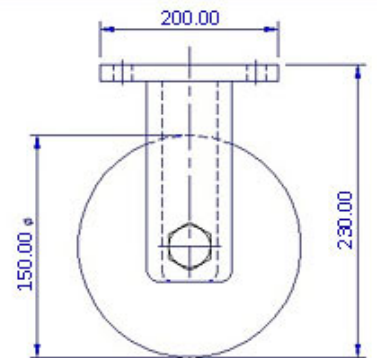
- Single piece forged alloy steel top plate with an integrally forged kingpin & forged fork base
- Combination of precision thrust bearing and tapered roller bearing in the swivel head
- Totally sealed swivel head with grease nipple
- Slotted Nut and Cotter pin arrangement allow adjustment of swivel head play during usage
- 12 mm thick formed legs robotically welded inside & outside to 114mm x 2 fork spacing
- 30mm wheel axle
- Finish : Zinc Plated, ROHS compliant or black polymer color coated
- Options : 4 way directional lock, Wheel face brake

### Wheel Properties

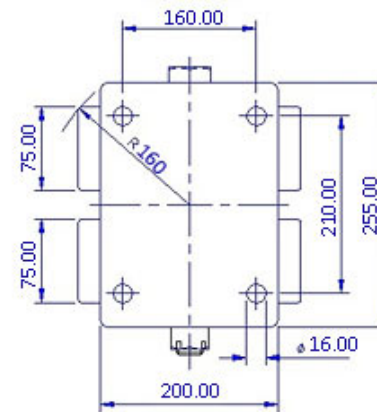
Muvtons Drop Forged Wheels are hot forged from Alloy Steels and can be used in the roughest of applications on the poorest of floors. these are virtually in-destructible within their capacity range .tread faces are fully machined for easy maneuverability - these wheels offer high abrasion and oil resistance . Wheel Bearing Options: Sealed precision ball bearings, tapered roller bearings or roller bearings. Temperature range:-100° C to +600° C.

### Technical Data

|                    |                            |
|--------------------|----------------------------|
| Castor Type        | Rigid Castor without Brake |
| Wheel Material     | Alloy Steel                |
| Wheel Dia(mm)      | 150                        |
| Tread Width(mm)    | 75 x 2                     |
| Load Capacity(kg)  | 6000                       |
| Wheel Bearing      | Ball Bearing               |
| Overall Height(mm) | 230                        |
| Swivel Radius(mm)  | 160                        |
| Top Plate(mm)      | 255 x 200                  |
| Bolt Hole Dia(mm)  | 210 x 160                  |
| Non Marking        | -                          |
| Heat Resistant     | Yes                        |
| Noise Reduction    | -                          |



FRONT VIEW



TOP VIEW