



ABLP-103S-SEB

Fork Properties

2000kgs, Load capacity Forged Precision Bearing Castors

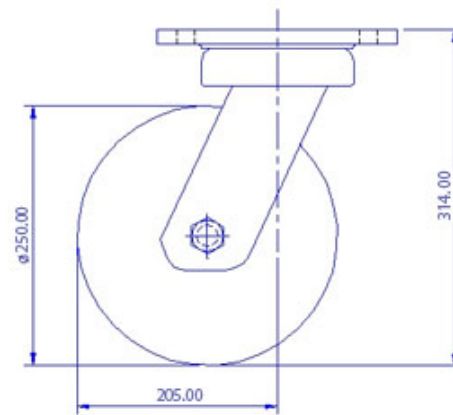
- Single piece forged alloy steel top plate with an integrally forged kingpin & forged fork base.
- Combination of Precision thrust bearing and tapered roller bearing in the swivel head
- Totally sealed swivel head with grease nipple
- Slotted nut and cotter pin arrangement allow adjustment of swivel head play during usage
- 10 mm thick formed legs robotically welded inside & outside to 90 mm fork spacing
- 20 mm wheel axle
- Finish : Zinc Plated ; ROHS Compliant or Black polymer colour coted
- Options : 4 way Directional Lock, Total Lock, Wheel Face Brake

Wheel Properties

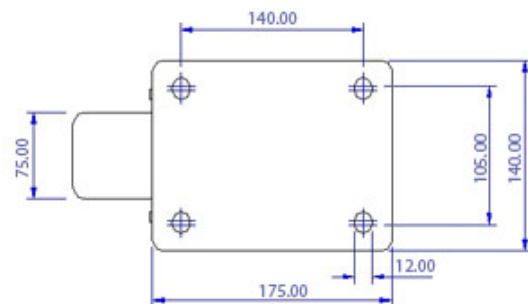
Muvtons black elastic rubber tyred wheels firmly chemically bonded to precision machined cast iron cores. Highly resilient 75° ±5° Shore A rubber provides very smooth and silent running. Can be used for power towing applications by suitably de rating the load capacity. Wheel bearing options: Sealed precision ball bearings, tapered roller bearings or roller bearings. Temperature range : -20°C +75°C Tread Options: Anti Static, conductive and oil resistant wheels are available.

Technical Data

Castor Type	Swivel Castor without Brake
Wheel Material	Elastic Rubber
Wheel Hardness	75° ± 5° Shore A
Wheel Center	Cast Iron
Wheel Dia(mm)	250
Tread Width(mm)	75
Load Capacity(kg)	750
Wheel Bearing	Ball Bearing
Overall Height(mm)	314
Swivel Radius(mm)	205
Top Plate(mm)	175 x 140
Bolt Hole Dia(mm)	140 x 105
Non Marking	-
Heat Resistant	Yes
Noise Reduction	-



FRONT VIEW



TOP VIEW