



ABLP-123S-SFS

Fork Properties

2000kgs, Load capacity Forged Precision Bearing Castors

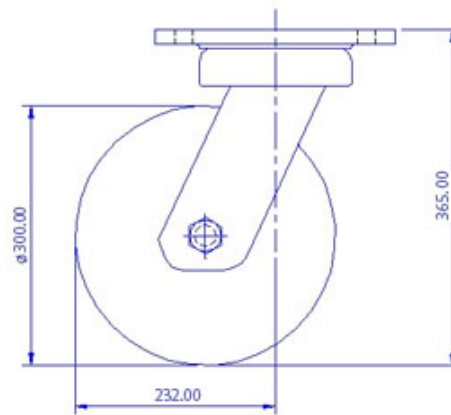
- Single piece forged alloy steel top plate with an integrally forged kingpin & forged fork base.
- Combination of Precision thrust bearing and tapered roller bearing in the swivel head
- Totally sealed swivel head with grease nipple
- Slotted nut and cotter pin arrangement allow adjustment of swivel head play during usage
- 10 mm thick formed legs robotically welded inside & outside to 90 mm fork spacing
- 20 mm wheel axle
- Finish : Zinc Plated ; ROHS Compliant or Black polymer colour coted
- Options : 4 way Directional Lock, Total Lock, Wheel Face Brake

Wheel Properties

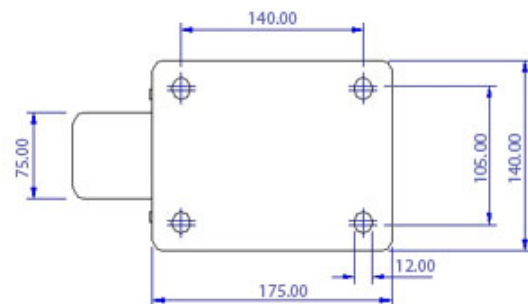
Muvtons exclusively designed " real solid " elastomer wheels produced from premium liquid cast polyurethane 73° ±3° shore d mechanically & chemically locked to a non corrosive metallic core that holds the wheel bearings and also provides structural rigidity under heavy loads. These wheels resist compression set, have excellent resilience for easy movement even under high loads and expel floor debris. Can be used for corrosive applications with suitable bearings. They are non marking and floor protective. Tested & guaranteed against bond failures. Wheel bearing options : sealed precision ball bearings, tapered roller bearings or roller bearings. Temperature range : -20°c to +85°c. Tread options:anti-static;conductive wheels are available.

Technical Data

Castor Type	Swivel Castor without Brake
Wheel Material	Polyurethane
Wheel Hardness	73° ± 3° Shore D
Wheel Center	Aluminium
Wheel Dia(mm)	300
Tread Width(mm)	75
Load Capacity(kg)	1550
Wheel Bearing	Ball Bearing
Overall Height(mm)	365
Swivel Radius(mm)	232
Top Plate(mm)	175 x 140
Bolt Hole Dia(mm)	140 x 105
Non Marking	yes
Heat Resistant	Yes
Noise Reduction	-



FRONT VIEW



TOP VIEW