



## SAB-82S-MCI

### Fork Properties

#### 1500kgs load capacity forged precision bearing castors.

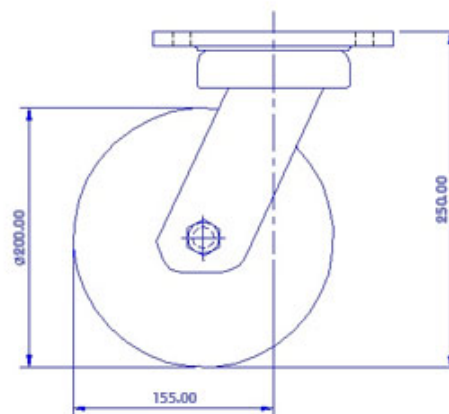
- Single piece forged alloy steel top plate with an integrally forged kingpin & forged fork base.
- Combination of Precision thrust bearing and tapered roller bearing in the swivel head
- Totally sealed swivel head with grease nipple
- Slotted nut and cotter pin arrangement allow adjustment of swivel head play during usage
- 6 mm thick cylindrically formed legs robotically welded inside & outside to 65 mm fork spacing
- 12 mm wheel axle
- Finish : Zinc Plated ; ROHS Compliant or Black polymer colour coted
- Options : 4 way directional lock, total lock, wheel face brake

### Wheel Properties

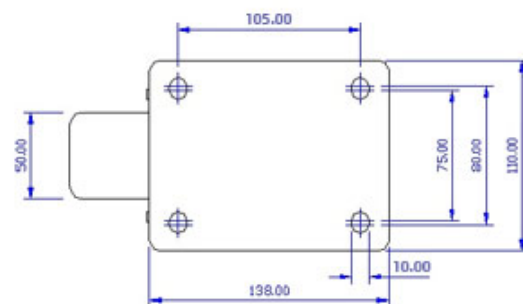
Muvtons special grey cast iron wheels solid core construction, tread face fully machined and crown treaded for extremely easy maneuverability. These wheels offer high abrasion and oil resistance can be used upto 600°C with appropriate wheel bearings. Wheel bearing options: sealed precision ball bearings, tapered roller bearings or roller bearings. Temperature range : -100°C to +600°C.

### Technical Data

|                    |                             |
|--------------------|-----------------------------|
| Castor Type        | Swivel Castor without Brake |
| Wheel Material     | Cast Iron                   |
| Wheel Dia(mm)      | 200                         |
| Tread Width(mm)    | 50                          |
| Load Capacity(kg)  | 1000                        |
| Wheel Bearing      | Ball Bearing                |
| Overall Height(mm) | 250                         |
| Swivel Radius(mm)  | 155                         |
| Top Plate(mm)      | 138 x 110                   |
| Bolt Hole Dia(mm)  | 105 x 75-80                 |
| Non Marking        | -                           |
| Heat Resistant     | Yes                         |
| Noise Reduction    | -                           |



FRONT VIEW



TOP VIEW