



ABE75-84S-SFS

Fork Properties

7500kgs load capacity forged precision bearing castors

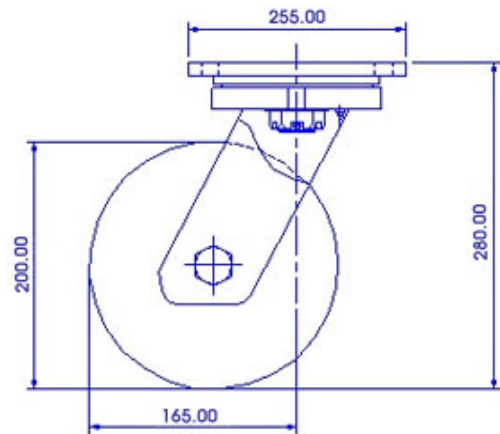
- Single piece forged alloy steel top plate with an integrally forged kingpin & forged fork base
- Combination of precision thrust bearing and tapered roller bearing in the swivel head
- Totally sealed swivel head with grease nipple
- Slotted Nut and Cotter pin arrangement allow adjustment of swivel head play during usage
- 12 mm thick formed legs robotically welded inside & outside to 114mm fork spacing
- 30mm wheel axle
- Finish : Zinc Plated, ROHS compliant or black polymer color coated
- Options : 4 way directional lock, Wheel face brake

Wheel Properties

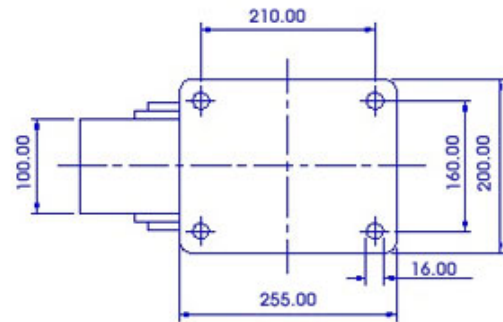
Muvtons exclusively designed " real solid " elastomer wheels produced from premium liquid cast polyurethane 73° ±3° shore d mechanically & chemically locked to a non corrosive metallic core that holds the wheel bearings and also provides structural rigidity under heavy loads. These wheels resist compression set, have excellent resilience for easy movement even under high loads and expel floor debris. Can be used for corrosive applications with suitable bearings. They are non marking and floor protective. Tested & guaranteed against bond failures. Wheel bearing options : sealed precision ball bearings, tapered roller bearings or roller bearings. Temperature range : -20°c to +85°c. Tread options:anti-static;conductive wheels are available.

Technical Data

Castor Type	Swivel Castor without Brake
Wheel Material	Polyurethane
Wheel Hardness	73° ± 3° Shore D
Wheel Center	Aluminium
Wheel Dia(mm)	200
Tread Width(mm)	100
Load Capacity(kg)	1400
Wheel Bearing	Ball Bearing
Overall Height(mm)	280
Swivel Radius(mm)	165
Top Plate(mm)	255 x 200
Bolt Hole Centers	210 x 160
Non Marking	Yes
Heat Resistant	Yes
Noise Reduction	-



FRONT VIEW



TOP VIEW