



GRDE-52R-MCI

Fork Properties

1500 Kgs. Load Capacity Forged Kingpinless Castors

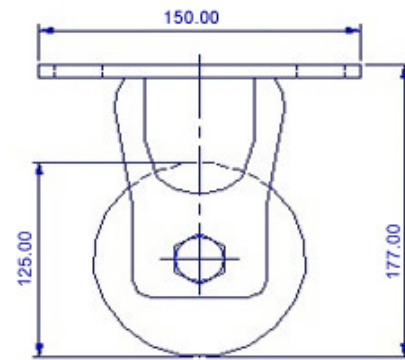
- Single piece forged alloy steel top plate & fork base
- Induction hardened raceways ensure swivel head longevity
- Totally sealed swivel head with grease nipple
- 6mm thick cylindrically formed legs robotically welded inside & outside to 65mm fork spacing
- 12mm Wheel Axle
- Finish : Zinc Plated, ROHS compliant or black polymer color coated
- Options : 4 way directional lock, Total lock, Wheel face brake

Wheel Properties

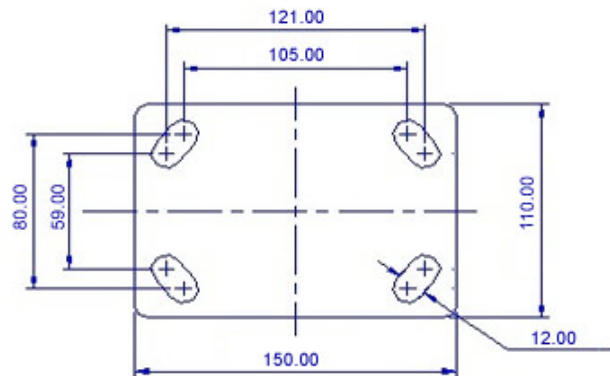
Muvtons special grey cast iron wheels solid core construction, tread face fully machined and crown treaded for extremely easy maneuverability. These wheels offer high abrasion and oil resistance can be used up to 600°C with appropriate wheel bearings. Wheel bearing options: sealed precision ball bearings, tapered roller bearings or roller bearings. Temperature range : -100°C to +600°C.

Technical Data

Castor Type	Rigid Castor without Brake
Wheel Material	Cast Iron
Wheel Dia(mm)	125
Tread Width(mm)	50
Load Capacity(kg)	550
Wheel Bearing	Ball Bearing
Overall Height(mm)	177
Top Plate(mm)	150 x 110
Bolt Hole Centers	105 x 80 to 121/59
Non Marking	-
Heat Resistant	Yes
Noise Reduction	-



FRONT VIEW



TOP VIEW