



GRDDE-62S-SFS

Fork Properties

1500kgs load capacity twin wheel forged kingpinless castors

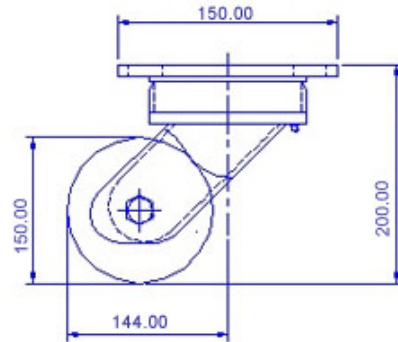
- Single piece forged alloy steel top plate & fork base
- Precision CNC machined raceways
- Induction hardened raceways ensure swivel head longevity
- Totally sealed swivel head with grease nipple
- 6mm thick cylindrically formed legs robotically welded inside & outside to 65mm x 23 fork spacing
- 12mm Wheel Axle
- Finish : Zinc plated; ROHS Compliant or black polymer color coated
- Options : 4 way directional lock, Total lock, Wheel face brake

Wheel Properties

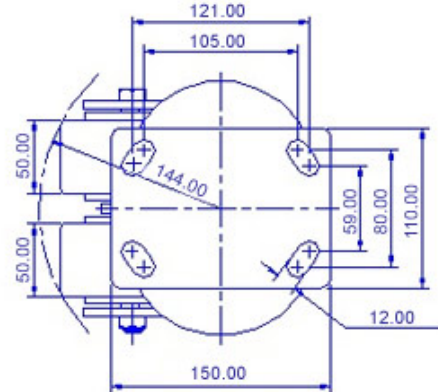
Muvtons exclusively designed " real solid " elastomer wheels produced from premium liquid cast polyurethane 73° ±3° shore d mechanically & chemically locked to a non corrosive metallic core that holds the wheel bearings and also provides structural rigidity under heavy loads. These wheels resist compression set, have excellent resilience for easy movement even under high loads and expel floor debris. Can be used for corrosive applications with suitable bearings. They are non marking and floor protective. Tested & guaranteed against bond failures. Wheel bearing options : sealed precision ball bearings, tapered roller bearings or roller bearings. Temperature range : -20°c to +85°c. Tread options: anti-static; conductive wheels are available.

Technical Data

Castor Type	Swivel Castor without Brake
Wheel Material	Polyurethane
Wheel Hardness	73° ± 3° Shore D
Wheel Center	Aluminium
Wheel Dia(mm)	150
Tread Width(mm)	50 x 2
Load Capacity(kg)	1350
Wheel Bearing	Ball Bearing
Overall Height(mm)	200
Swivel Radius(mm)	144
Top Plate(mm)	150 x 110
Bolt Hole Centers	105 x 80 to 121/59
Non Marking	Yes
Heat Resistant	Yes
Noise Reduction	-



FRONT VIEW



TOP VIEW