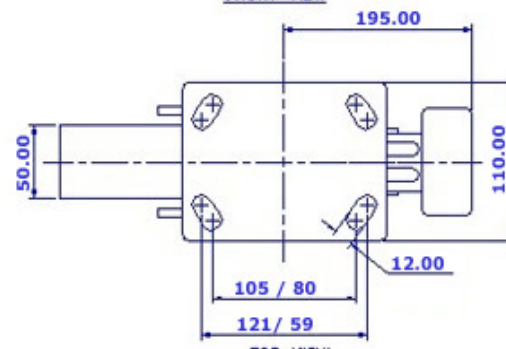


FRONT VIEW



TOP VIEW

ALL DIMENSIONS ARE IN "mm"



GRDE-102S-SAS-TL