



GRDE-52R-SAS

Fork Properties

1500 Kgs. Load Capacity Forged Kingpinless Castors

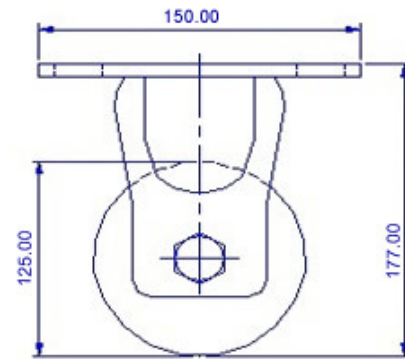
- Single piece forged alloy steel top plate & fork base
- Induction hardened raceways ensure swivel head longevity
- Totally sealed swivel head with grease nipple
- 6mm thick cylindrically formed legs robotically welded inside & outside to 65mm fork spacing
- 12mm Wheel Axle
- Finish : Zinc Plated, ROHS compliant or black polymer color coated
- Options : 4 way directional lock, Total lock, Wheel face brake

Wheel Properties

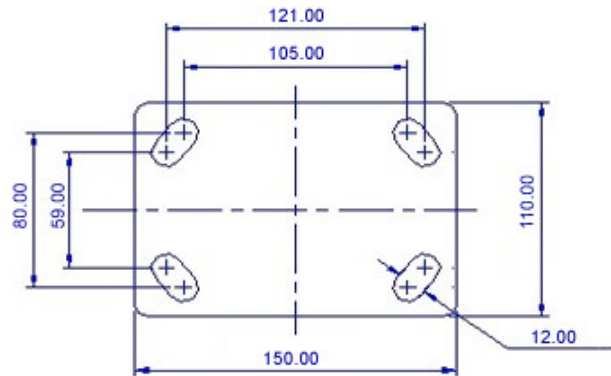
Muvtons premium polyurethane treaded wheels $93^{\circ} \pm 3^{\circ}$ Shore A, firmly bonded to precision machined cast iron cores offer low rolling resistance, smooth & noiseless running are non-marking and floor protective. These wheels possess high abrasion & cut resistance and are resistant to tearing. Tested & guaranteed against bond failures. Wheel bearing options : Sealed precision ball bearings, tapered roller bearings or roller bearings, color, light brown. Temperature range : -20°C to +85°C. Tread options: Anti static : Conductive wheels are available.

Technical Data

Castor Type	Rigid Castor without Brake
Wheel Material	Polyurethane
Wheel Hardness	$93^{\circ} \pm 3^{\circ}$ Shore A
Wheel Center	Cast Iron
Wheel Dia(mm)	125
Tread Width(mm)	50
Load Capacity(kg)	550
Wheel Bearing	Ball Bearing
Overall Height(mm)	177
Top Plate(mm)	150 x 110
Bolt Hole Centers	105 x 80 to 121/59
Non Marking	Yes
Heat Resistant	Yes
Noise Reduction	Yes



FRONT VIEW



TOP VIEW