



## ABE50-103S-MCNY

### Fork Properties

#### 5000kgs load capacity forged precision bearing castors

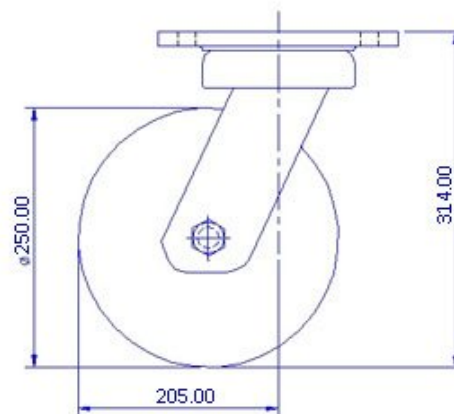
- Single piece forged alloy steel top plate with an integrally forged kingpin & forged fork base
- Combination of precision thrust bearing and tapered roller bearing in the swivel head
- Totally sealed swivel head with grease nipple
- Slotted Nut and Cotter pin arrangement allow adjustment of swivel head play during usage
- 10 mm thick formed legs robotically welded inside & outside to 90mm fork spacing
- 25mm wheel axle
- Finish : Zinc Plated, ROHS compliant or black polymer color coated
- Options : 4 way directional lock, Total lock, Wheel face brake

### Wheel Properties

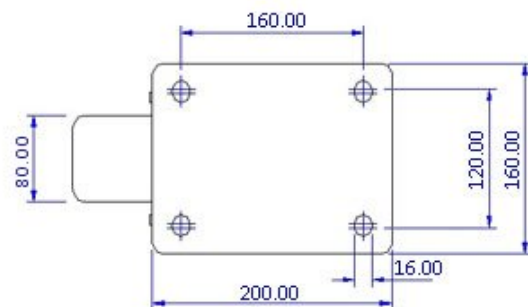
Muvtons MCNY wheels produced from high impact resistant cast polyamide are the ultimate choice for extremely high loads where metallic wheels are not an option . These wheels posses very high abrasion resistance and offer low rolling resistance under extreme loads. Can be used in corrosive applications. Wheels bearing options : sealed precision ball bearing or plain bore. Temperature range:-30° c to +80° c.

### Technical Data

Castor Type	Swivel Castor without Brake
Wheel Material	Cast Polyamide
Wheel Dia(mm)	250
Tread Width(mm)	80
Load Capacity(kg)	5000
Wheel Bearing	Ball Bearing
Overall Height(mm)	314
Swivel Radius(mm)	205
Top Plate(mm)	200 x 160
Bolt Hole Centers	160 x 120
Non Marking	-
Heat Resistant	Yes
Noise Reduction	-



FRONT VIEW



TOP VIEW