



## BDS-82R-NY

### Fork Properties

#### 450Kgs. Load Capacity Heavy Duty Pressed Steel Castors

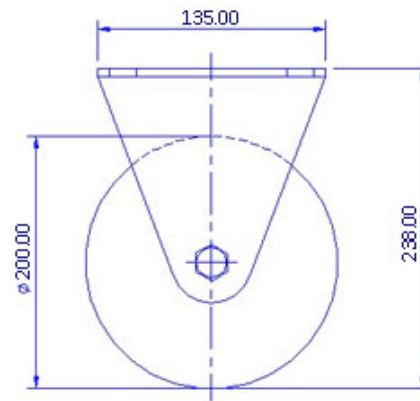
- Extra heavy duty pressed steel brackets thick steel construction
- Swivel brackets with double ball bearing raceways dynamically pressed ensure low swivel head play and long service life
- Kingpinless swivel head design in larger wheel diameters eliminates chances of kingpin failure
- Finish : Zinc Plated
- Options : Total Lock Brake System

### Wheel Properties

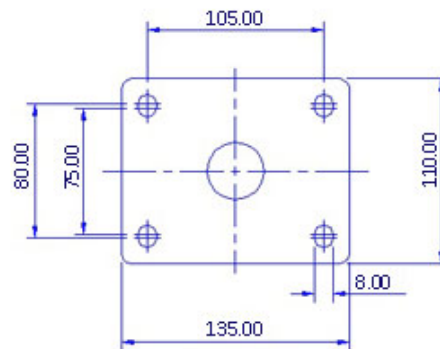
Injection molded high quality polyamide offer high abrasion resistance, low rolling resistance & smooth running on even floors. Corrosion resistant, provide chemical resistance to alcohol, grease and some acids in mild concentration. Not recommended for epoxy coated floor surfaces. Wheel bearing options: sealed precision ball bearings or roller bearings. Color:natural white temperature range:-40 °c to +80 °c.

### Technical Data

|                    |                            |
|--------------------|----------------------------|
| Castor Type        | Rigid Castor without Brake |
| Wheel Material     | Nylon Polyamide            |
| Wheel Center       | Nylon Polyamide            |
| Wheel Dia(mm)      | 200                        |
| Tread Width(mm)    | 50                         |
| Load Capacity(kg)  | 450                        |
| Wheel Bearing      | Ball Bearing               |
| Overall Height(mm) | 238                        |
| Top Plate(mm)      | 135 x 110                  |
| Bolt Hole Centers  | 105 x 75-80                |
| Non Marking        | No                         |
| Heat Resistant     | Yes                        |
| Noise Reduction    | -                          |



FRONT VIEW



TOP VIEW