



## ABE75-84S-SZS

### Fork Properties

#### 7500kgs load capacity forged precision bearing castors

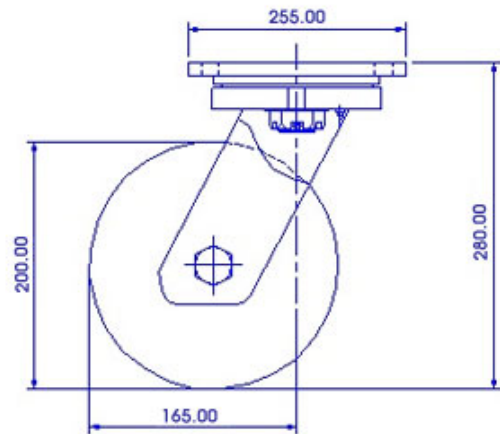
- Single piece forged alloy steel top plate with an integrally forged kingpin & forged fork base
- Combination of precision thrust bearing and tapered roller bearing in the swivel head
- Totally sealed swivel head with grease nipple
- Slotted Nut and Cotter pin arrangement allow adjustment of swivel head play during usage
- 12 mm thick formed legs robotically welded inside & outside to 114mm fork spacing
- 30mm wheel axle
- Finish : Zinc Plated, ROHS compliant or black polymer color coated
- Options : 4 way directional lock, Wheel face brake

### Wheel Properties

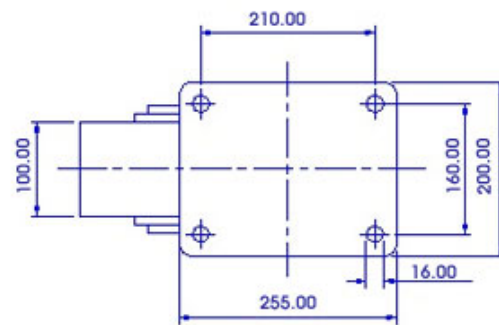
Muvtons premium soft durometer polyurethane treaded wheels 83° ±3° Shore A, Firmly bonded to precision machined cast iron cores. These wheels have been designed to response to noise problems and allow loaded to be cushioned. The use of lively polyurethane materials allows these wheels to flex & roll over debris and obstacles without picking up objects. They are non marking and floor protective. Tested & guranteed against bond failures. Wheel bearing options : Sealed precision ball bearings, tapered roller bearings or roller bearings. Temperature range; -20°C to +85°C. Thread options : Anti static : conductive wheels are available.

### Technical Data

Castor Type	Swivel Castor without Brake
Wheel Material	Polyurethane
Wheel Hardness	83° ± 3° Shore A
Wheel Center	Cast Iron
Wheel Dia(mm)	200
Tread Width(mm)	100
Load Capacity(kg)	1400
Wheel Bearing	Ball Bearing
Overall Height(mm)	280
Swivel Radius(mm)	165
Top Plate(mm)	255 x 200
Bolt Hole Centers	210 x 160
Non Marking	Yes
Heat Resistant	Yes
Noise Reduction	Yes



FRONT VIEW



TOP VIEW