



ABLP-63S-MCNY

Fork Properties

2000kgs, Load capacity Forged Precision Bearing Castors

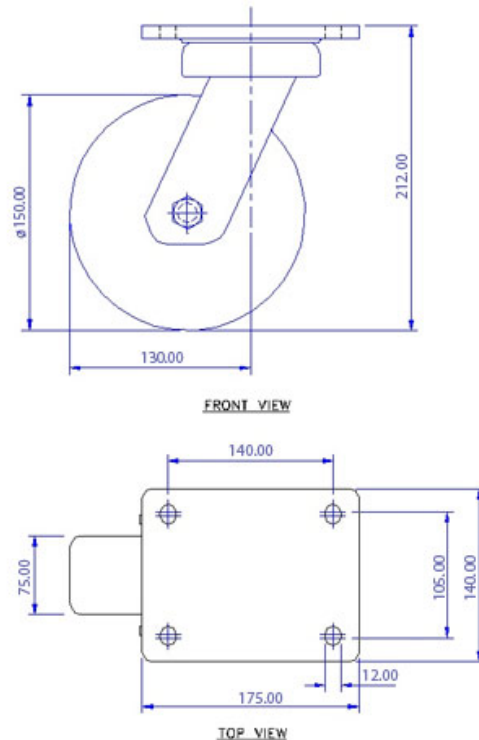
- ▶ Single piece forged alloy steel top plate with an integrally forged kingpin & forged fork base.
- ▶ Combination of Precision thrust bearing and tapered roller bearing in the swivel head
- ▶ Totally sealed swivel head with grease nipple
- ▶ Slotted nut and cotter pin arrangement allow adjustment of swivel head play during usage
- ▶ 10 mm thick formed legs robotically welded inside & outside to 90 mm fork spacing
- ▶ 20 mm wheel axle
- ▶ Finish : Zinc Plated ; ROHS Compliant or Black polymer colour coted
- ▶ Options : 4 way Directional Lock, Total Lock, Wheel Face Brake

Wheel Properties

Muvtons MCNY wheels produced from high impact resistant cast polymide are the ultimate choice for extremely high loads where metallic wheels are not an option . These wheels posses very high abrasion resistance and offer low rolling resistance under extreme loads. Can be used in corrosive applications. Wheels bearing options : sealed precision ball bearing or plain bore. Temperature range:-30° c to +80° c.

Technical Data

Castor Type	Swivel Castor without Brake
Wheel Material	Cast Polyamide
Wheel Dia(mm)	150
Tread Width(mm)	80
Load Capacity(kg)	2000
Wheel Bearing	Ball Bearing
Overall Height(mm)	212
Swivel Radius(mm)	130
Top Plate(mm)	175 x 140
Bolt Hole Centers	140 x 105
Non Marking	-
Heat Resistant	Yes
Noise Reduction	-



© **Muvtons Castors Pvt. Ltd.** All Rights Reserved (Terms of Use)
Developed and Managed by IndiaMART InterMESH Limited