



ABE75-104S-SAS

Fork Properties

7500kgs load capacity forged precision bearing castors

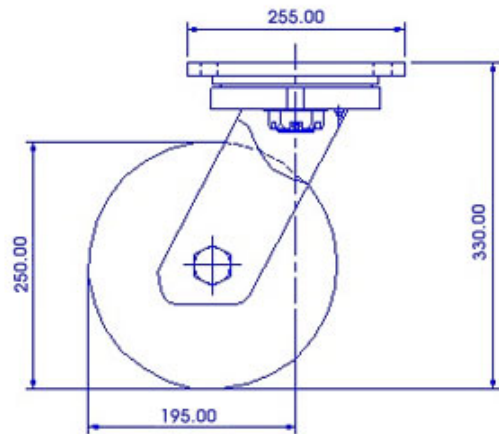
- Single piece forged alloy steel top plate with an integrally forged kingpin & forged fork base
- Combination of precision thrust bearing and tapered roller bearing in the swivel head
- Totally sealed swivel head with grease nipple
- Slotted Nut and Cotter pin arrangement allow adjustment of swivel head play during usage
- 12 mm thick formed legs robotically welded inside & outside to 114mm fork spacing
- 30mm wheel axle
- Finish : Zinc Plated, ROHS compliant or black polymer color coated
- Options : 4 way directional lock, Wheel face brake

Wheel Properties

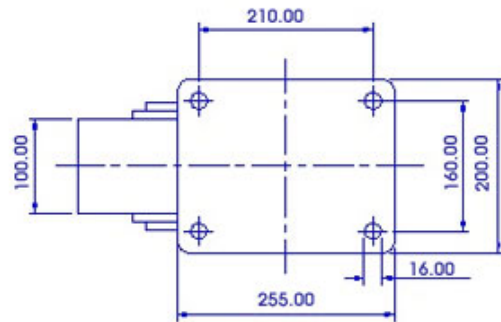
Muvtons premium polyurethane treaded wheels $93^{\circ} \pm 3^{\circ}$ Shore A, firmly bonded to precision machined cast iron cores offer low rolling resistance, smooth & noiseless running are non-marking and floor protective. These wheels possess high abrasion & cut resistance and are resistant to tearing. Tested & guaranteed against bond failures. Wheel bearing options : Sealed precision ball bearings, tapered roller bearings or roller bearings, color, light brown. Temperature range : -20°C to +85°C. Tread options: Anti static : Conductive wheels are available.

Technical Data

| | |
|--------------------|------------------------------------|
| Castor Type | Swivel Castor without Brake |
| Wheel Material | Polyurethane |
| Wheel Hardness | $93^{\circ} \pm 3^{\circ}$ Shore A |
| Wheel Center | Cast Iron |
| Wheel Dia(mm) | 250 |
| Tread Width(mm) | 100 |
| Load Capacity(kg) | 2200 |
| Wheel Bearing | Ball Bearing |
| Overall Height(mm) | 330 |
| Swivel Radius(mm) | 195 |
| Top Plate(mm) | 255 x 200 |
| Bolt Hole Centers | 210 x 160 |
| Non Marking | Yes |
| Heat Resistant | Yes |
| Noise Reduction | Yes |



FRONT VIEW



TOP VIEW