



ABLP-123S-SAS

Fork Properties

2000kgs, Load capacity Forged Precision Bearing Castors

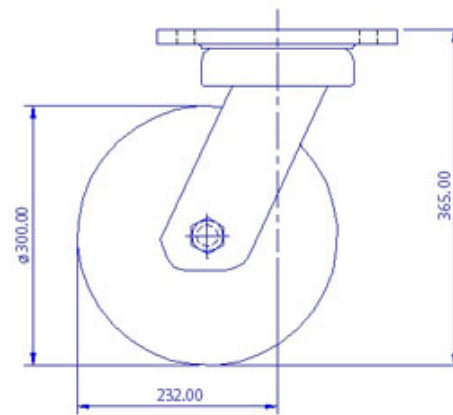
- Single piece forged alloy steel top plate with an integrally forged kingpin & forged fork base.
- Combination of Precision thrust bearing and tapered roller bearing in the swivel head
- Totally sealed swivel head with grease nipple
- Slotted nut and cotter pin arrangement allow adjustment of swivel head play during usage
- 10 mm thick formed legs robotically welded inside & outside to 90 mm fork spacing
- 20 mm wheel axle
- Finish : Zinc Plated ; ROHS Compliant or Black polymer colour coted
- Options : 4 way Directional Lock, Total Lock, Wheel Face Brake

Wheel Properties

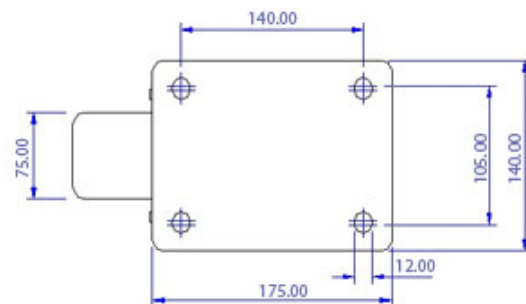
Muvtons premium polyurethane treaded wheels 93° ±3° shore a, firmly bonded to precision machined cast iron cores offer low rolling resistance, smooth & noiseless running are non-marking and floor protective. These wheels possess high abrasion & cut resistance and are resistant to tearing. Tested & guaranteed against bond failures. Wheel bearing options : sealed precision ball bearings, tapered roller bearings or roller bearings, color, light brown. Temperature range : - 20°C to +85°C. Tread options: anti static : conductive wheels are available.

Technical Data

| | |
|--------------------|-----------------------------|
| Castor Type | Swivel Castor without Brake |
| Wheel Material | Polyurethane |
| Wheel Hardness | 93° ± 3° Shore A |
| Wheel Center | Cast Iron |
| Wheel Dia(mm) | 300 |
| Tread Width(mm) | 75 |
| Load Capacity(kg) | 2000 |
| Wheel Bearing | Ball Bearing |
| Overall Height(mm) | 365 |
| Swivel Radius(mm) | 232 |
| Top Plate(mm) | 175 x 140 |
| Bolt Hole Centers | 140 x 105 |
| Non Marking | yes |
| Heat Resistant | Yes |
| Noise Reduction | yes |



FRONT VIEW



TOP VIEW