



## SAB-42S-ME

### Fork Properties

#### 1500kgs load capacity forged precision bearing castors.

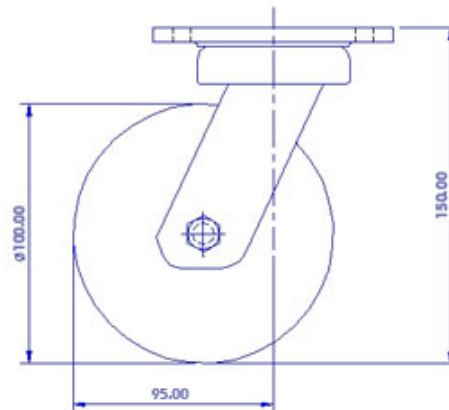
- Single piece forged alloy steel top plate with an integrally forged kingpin & forged fork base.
- Combination of Precision thrust bearing and tapered roller bearing in the swivel head
- Totally sealed swivel head with grease nipple
- Slotted nut and cotter pin arrangement allow adjustment of swivel head play during usage
- 6 mm thick cylindrical formed legs robotically welded inside & outside to 65 mm fork spacing
- 12 mm wheel axle
- Finish : Zinc Plated ; ROHS Compliant or Black polymer colour coted
- Options : 4 way directional lock, total lock, wheel face brake

### Wheel Properties

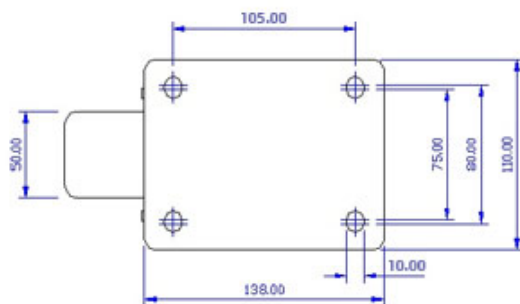
Muvtons Ergonomic wheels for effortless rolling, very low push pull efforts required to move heavy loads. Generous amount of premium polyurethane 93° ±3° Shore A firmly bonded, mechanically & chemically to precision machined cores. Proven for excellent performance in most demanding applications for manual and power towing. They are non-marking and floor protective. Tested & Guaranteed against bond failures. Softer 83° ±3° Shore A durometer for greater tractive resistance and harder 73° ±3° Shore D polyurethane treads for extremely low rolling resistance are also offered. Wheel bearing options: Sealed precision ball bearings, tapered roller bearings or roller bearings. Temperature range : -20°C to +85°C  
Tread Options : Anti-static; conductive wheels are available.

### Technical Data

Castor Type	Swivel Castor without Brake
Wheel Material	Polyurethane
Wheel Hardness	93° ± 3° Shore A
Wheel Center	Cast Iron
Wheel Dia(mm)	100
Tread Width(mm)	50
Load Capacity(kg)	350
Wheel Bearing	Ball Bearing
Overall Height(mm)	150
Swivel Radius(mm)	95
Top Plate(mm)	138 x 110
Bolt Hole Centers	105 x 75-80
Non Marking	Yes
Heat Resistant	Yes
Noise Reduction	-



FRONT VIEW



TOP VIEW

