



## GGSE-82R-ME

### Fork Properties

#### 600kgs, Load capacity Forged Kingpin type Castors

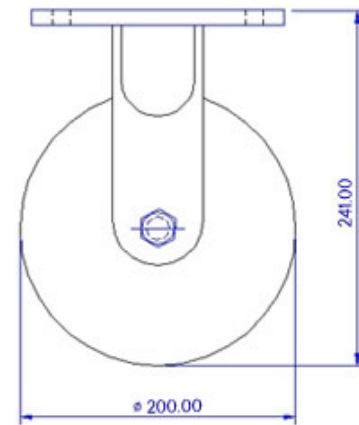
- Single Piece forged alloy steel top plate with integrally forged kingpin
- Sealed double ball raceways precision CNC machined
- Induction Hardened raceways ensure longevity of the castor
- Forged lower raceway
- 6mm thick formed legs robotically welded inside & outside
- 12mm wheel axle
- Finish : Zinc plated; ROHS compliant or black polymer color coated
- Option : 4 way directional lock , Total lock, Wheel face brake

### Wheel Properties

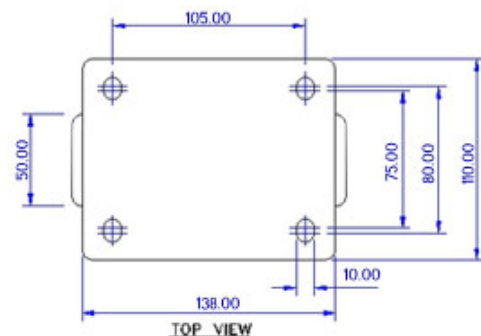
Muvtons ergonomic wheels for effortless rolling, very low push pull efforts required to move heavy loads. Generous amount of premium polyurethane 93° ±3° shore a firmly bonded, mechanically & chemically to precision machined cores. Proven for excellent performance in most demanding applications for manual and power towing. They are non-marking and floor protective. Tested & guaranteed against bond failures. Softer 83° ±3° shore a durometer for greater tractive resistance and harder 73° ±3° shore d polyurethane treads for extremely low rolling resistance are also offered. Wheel bearing options: sealed precision ball bearings, tapered roller bearings or roller bearings. Temperature range : -20°c to +85°c tread options : anti-static; conductive wheels are available.

### Technical Data

Castor Type	Rigid Castor without Brake
Wheel Material	Polyurethane
Wheel Hardness	93° ± 3° Shore A
Wheel Center	Cast Iron
Wheel Dia(mm)	200
Tread Width(mm)	50
Load Capacity(kg)	600
Wheel Bearing	Ball Bearing
Overall Height(mm)	241
Top Plate(mm)	138 x 110
Bolt Hole Centers	105 x 75-80
Non Marking	Yes
Heat Resistant	Yes
Noise Reduction	



FRONT VIEW



TOP VIEW

