



## GGSE-52S-SAS

### Fork Properties

#### 600kgs, Load capacity Forged Kingpin type Castors

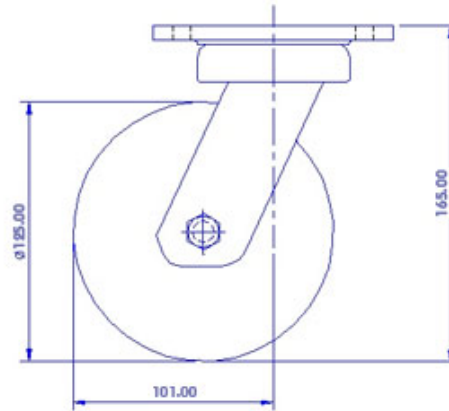
- Single Piece forged alloy steel top plate with integrally forged kingpin
- Sealed double ball raceways precision CNC machined
- Induction Hardened raceways ensure longevity of the castor
- Forged lower raceway
- 6mm thick formed legs robotically welded inside & outside
- 12mm wheel axle
- Finish : Zinc plated; ROHS compliant or black polymer color coated
- Option : 4 way directional lock , Total lock, Wheel face brake

### Wheel Properties

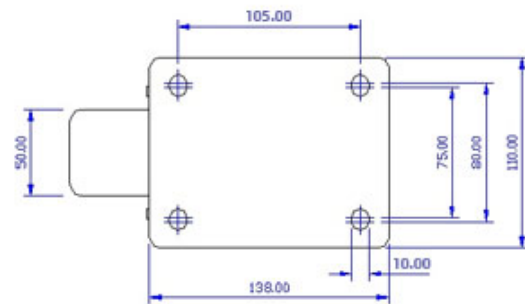
Muvtons premium polyurethane treaded wheels  $93^{\circ} \pm 3^{\circ}$  Shore A, firmly bonded to precision machined cast iron cores offer low rolling resistance, smooth & noiseless running are non-marking and floor protective. These wheels possess high abrasion & cut resistance and are resistant to tearing. Tested & guaranteed against bond failures. Wheel bearing options : Sealed precision ball bearings, tapered roller bearings or roller bearings, color, light brown. Temperature range : -20°C to +85°C. Tread options: Anti static : Conductive wheels are available.

### Technical Data

Castor Type	Swivel Castor without Brake
Wheel Material	Polyurethane
Wheel Hardness	$93^{\circ} \pm 3^{\circ}$ Shore A
Wheel Center	Cast Iron
Wheel Dia(mm)	125
Tread Width(mm)	50
Load Capacity(kg)	550
Wheel Bearing	Ball Bearing
Overall Height(mm)	165
Swivel Radius(mm)	101
Top Plate(mm)	138 x 110
Bolt Hole Centers	105 x 75-80
Non Marking	Yes
Heat Resistant	Yes
Noise Reduction	Yes



FRONT VIEW



TOP VIEW