



BHS-82R-RNY

Fork Properties

350Kgs. Load Capacity Medium Duty Castors

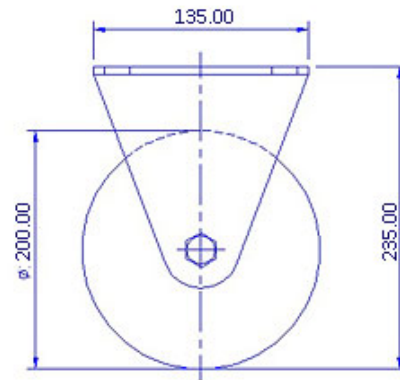
- Heavy duty pressed steel brackets
- Swivel brackets with double ball bearing raceways, dynamically pressed ensure low swivel headplay and long service life
- Kingpinless swivel head design in larger wheel diameters eliminates chances of kingpin failure
- Finish : Zinc Plated
- Options : Total lock brake system

Wheel Properties

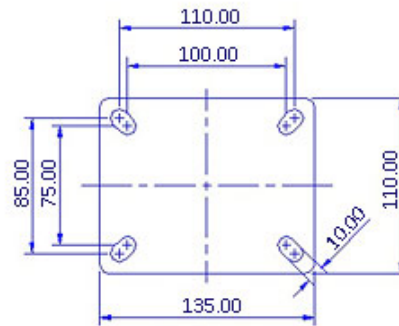
Muvtons black elastic rubber tyred wheels firmly chemically bonded to precision machined cast iron cores. Highly resilient 75° ±5° Shore A rubber provides very smooth and silent running. Can be used for power towing applications by suitably de-rating the load capacity. Wheel bearing options: Sealed precision ball bearings, tapered roller bearings or roller bearings. Temperature range : -20°C +75°C Tread Options: Anti Static, conductive and oil resistant wheels are available.

Technical Data

| | |
|--------------------|----------------------------|
| Castor Type | Rigid Castor without Brake |
| Wheel Material | Elastic Rubber |
| Wheel Hardness | 75° ± 5° Shore A |
| Wheel Center | Nylon Polyamide |
| Wheel Dia(mm) | 200 |
| Tread Width(mm) | 50 |
| Load Capacity(kg) | 300 |
| Wheel Bearing | Ball Bearing |
| Overall Height(mm) | 235 |
| Top Plate(mm) | 135 x 110 |
| Bolt Hole Centers | 110 x 85 to 100 x 75 |
| Non Marking | Yes |
| Heat Resistant | Yes |
| Noise Reduction | |



FRONT VIEW



TOP VIEW