



BHS-312R-NY

Fork Properties

350Kgs. Load Capacity Medium Duty Castors

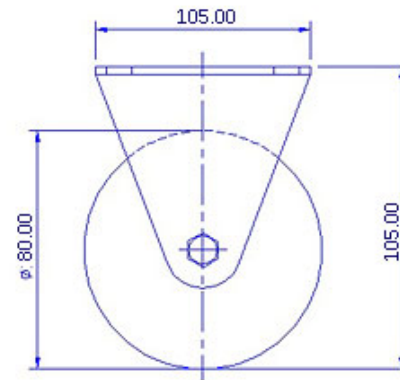
- Heavy duty pressed steel brackets
- Swivel brackets with double ball bearing raceways, dynamically pressed ensure low swivel headplay and long service life
- Kingpinless swivel head design in larger wheel diameters eliminates chances of kingpin failure
- Finish : Zinc Plated
- Options : Total lock brake system

Wheel Properties

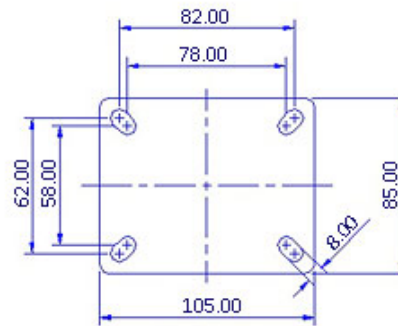
Injection moduled high quality polyamide offer high abrasion resistance, low rolling resistance & smooth running on even floors. Corrosion resistant, provide chemical resistance to alcohol, grease and some acids in mild concentration. Not recommended for epoxy coated floor surfaces. Wheel bearing options: sealed precision ball bearings or roller bearings. Color:natural white temperature range:-40 °c to +80 °c.

Technical Data

Castor Type	Rigid Castor without Brake
Wheel Material	Nylon Polyamide
Wheel Center	Nylon Polyamide
Wheel Dia(mm)	80
Tread Width(mm)	30
Load Capacity(kg)	150
Wheel Bearing	Ball Bearing
Overall Height(mm)	105
Top Plate(mm)	105 x 85
Bolt Hole Centers	82 x 62 to 78 x 58
Non Marking	No
Heat Resistant	Yes
Noise Reduction	-



FRONT VIEW



TOP VIEW