



BHS-615R-SJS

Fork Properties

350Kgs. Load Capacity Medium Duty Castors

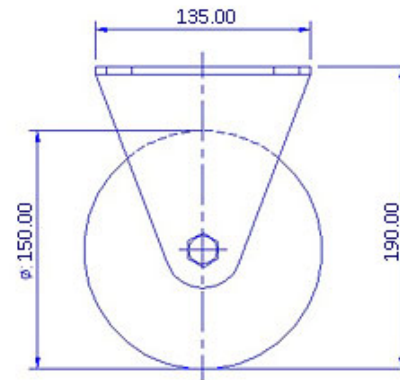
- Heavy duty pressed steel brackets
- Swivel brackets with double ball bearing raceways, dynamically pressed ensure low swivel headplay and long service life
- Kingpinless swivel head design in larger wheel diameters eliminates chances of kingpin failure
- Finish : Zinc Plated
- Options : Total lock brake system

Wheel Properties

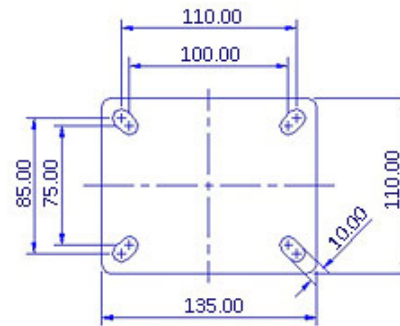
Muvtons medium duty polyurethane treaded wheels 93° ±3c shore a for medium and light applications offer a cost effective yet a good solution polyurethane treads is firmly bonded to precision machined and floor protective. Tested & guaranteed against bond failures. Wheel bearing options: sealed precision ball bearings, tapered roller bearings or roller bearings. Color: light brown, temperature range : -20 °c to +85 °c.

Technical Data

Castor Type	Rigid Castor without Brake
Wheel Material	Polyurethane
Wheel Hardness	93° ± 3° Shore A
Wheel Center	Cast Iron
Wheel Dia(mm)	150
Tread Width(mm)	40
Load Capacity(kg)	350
Wheel Bearing	Ball Bearing
Overall Height(mm)	190
Top Plate(mm)	135 x 110
Bolt Hole Centers	110 x 85 to 100 x 75
Non Marking	Yes
Heat Resistant	Yes
Noise Reduction	Yes



FRONT VIEW



TOP VIEW