



BHS-412R-PNY

Fork Properties

350Kgs. Load Capacity Medium Duty Castors

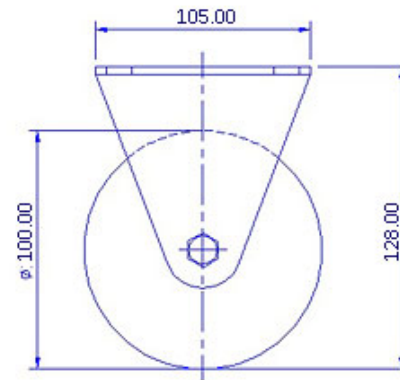
- Heavy duty pressed steel brackets
- Swivel brackets with double ball bearing raceways, dynamically pressed ensure low swivel headplay and long service life
- Kingpinless swivel head design in larger wheel diameters eliminates chances of kingpin failure
- Finish : Zinc Plated
- Options : Total lock brake system

Wheel Properties

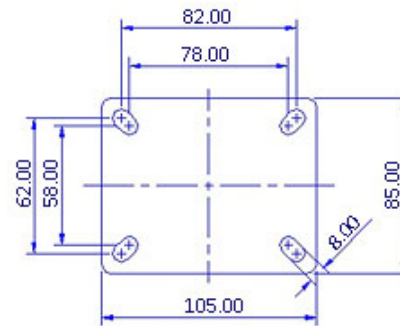
Liquid Cast Quality polyurethane chemically and mechanically to a strong polyamide core. Non-corrosive & non-marking 95° shore A, non-Staining, abrasion-resistant, floor-saving, low-noise operation, low rolling resistance tested & guaranteed against bond failures. Wheel Bearing Options: Sealed precision ball bearing or roller bearings. Temperature range:-20°C to +85°C. Alternatively available with soft polyurethane tread.

Technical Data

| | |
|--------------------|----------------------------|
| Castor Type | Rigid Castor without Brake |
| Wheel Material | Polyurethane |
| Wheel Hardness | 95° Shore A |
| Wheel Center | Nylon Polyamide |
| Wheel Dia(mm) | 100 |
| Tread Width(mm) | 35 |
| Load Capacity(kg) | 200 |
| Wheel Bearing | Ball Bearing |
| Overall Height(mm) | 128 |
| Top Plate(mm) | 105 x 85 |
| Bolt Hole Centers | 82 x 62 to 78 x 58 |
| Non Marking | Yes |
| Heat Resistant | Yes |
| Noise Reduction | Yes |



FRONT VIEW



TOP VIEW