



## BDS-102R-SEB

### Fork Properties

#### 450Kgs. Load Capacity Heavy Duty Pressed Steel Castors

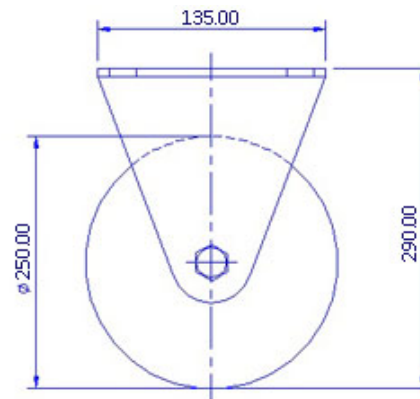
- Extra heavy duty pressed steel brackets thick steel construction
- Swivel brackets with double ball bearing raceways dynamically pressed ensure low swivel head play and long service life
- Kingpinless swivel head design in larger wheel diameters eliminates chances of kingpin failure
- Finish : Zinc Plated
- Options : Total Lock Brake System

### Wheel Properties

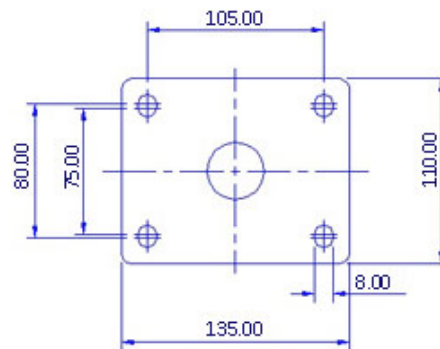
Muvtons black elastic rubber tyred wheels firmly chemically bonded to precision machined cast iron cores. Highly resilient 75° ±5° Shore A rubber provides very smooth and silent running. Can be used for power towing applications by suitably de-rating the load capacity. Wheel bearing options: Sealed precision ball bearings, tapered roller bearings or roller bearings. Temperature range : -20°C +75°C Tread Options: Anti Static, conductive and oil resistant wheels are available.

### Technical Data

|                    |                            |
|--------------------|----------------------------|
| Castor Type        | Rigid Castor without Brake |
| Wheel Material     | Elastic Rubber             |
| Wheel Hardness     | 75° ± 5° Shore A           |
| Wheel Center       | Cast Iron                  |
| Wheel Dia(mm)      | 250                        |
| Tread Width(mm)    | 50                         |
| Load Capacity(kg)  | 450                        |
| Wheel Bearing      | Ball Bearing               |
| Overall Height(mm) | 290                        |
| Top Plate(mm)      | 135 x 110                  |
| Bolt Hole Centers  | 105 x 75-80                |
| Non Marking        | Yes                        |
| Heat Resistant     | Yes                        |
| Noise Reduction    | Yes                        |



FRONT VIEW



TOP VIEW