



## BDS-515R-SJS

### Fork Properties

#### 450Kgs. Load Capacity Heavy Duty Pressed Steel Castors

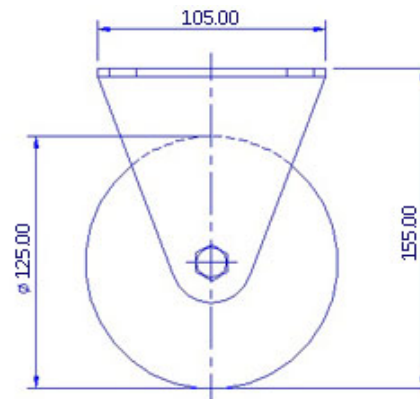
- Extra heavy duty pressed steel brackets thick steel construction
- Swivel brackets with double ball bearing raceways dynamically pressed ensure low swivel head play and long service life
- Kingpinless swivel head design in larger wheel diameters eliminates chances of kingpin failure
- Finish : Zinc Plated
- Options : Total Lock Brake System

### Wheel Properties

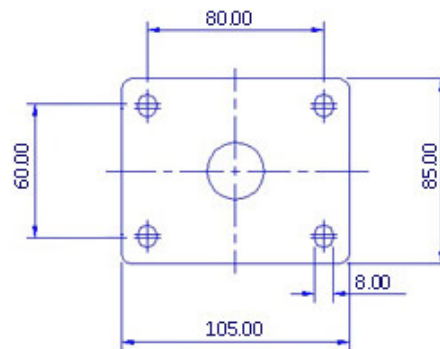
Muvtons medium duty polyurethane treaded wheels 93° ±3C Shore A for medium and light applications offer a cost effective yet a good solution Polyurethane tread is firmly bonded to precision machined and floor protective. Tested & Guaranteed against bond failures. Wheel bearing options: Sealed precision ball bearings, tapered roller bearings or roller bearings. Color: Light Brown, Temperature Range : -20°C to +85°C.

### Technical Data

Castor Type	Rigid Castor without Brake
Wheel Material	Polyurethane
Wheel Hardness	93° ± 3° Shore A
Wheel Center	Cast Iron
Wheel Dia(mm)	125
Tread Width(mm)	40
Load Capacity(kg)	350
Wheel Bearing	Ball Bearing
Overall Height(mm)	155
Top Plate(mm)	105 x 85
Bolt Hole Centers	80 x 60
Non Marking	Yes
Heat Resistant	Yes
Noise Reduction	Yes



FRONT VIEW



TOP VIEW